

MWPS-72044

24' Frame Utility Building

CAUTION!

Additional professional services will be required to tailor this plan to your situation, including but not limited to: assurance of compliance with codes and regulations; review of specifications for materials and equipment; supervision of site selection, bid letting and construction; and provision for utilities, waste management, roads or other access. **Furthermore, any deviation from the given specifications may result in structural failure, property damage, and personal injury including loss of life.**

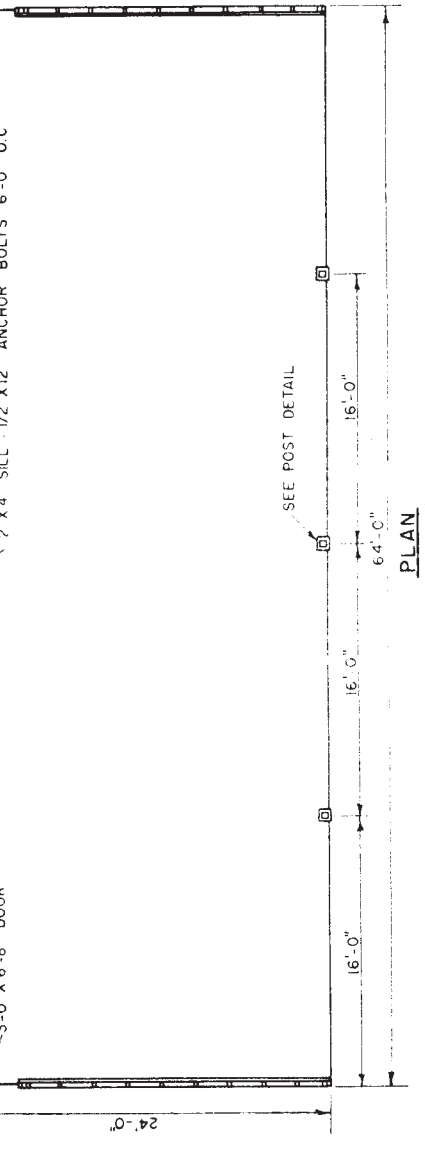
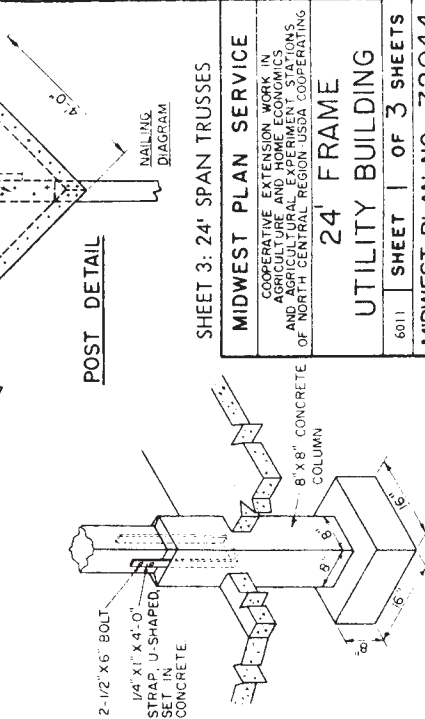
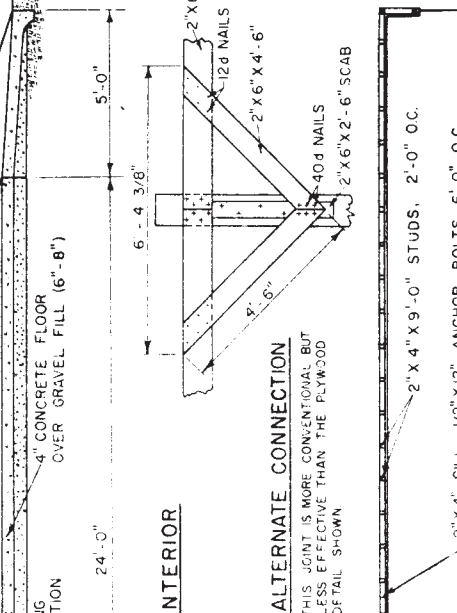
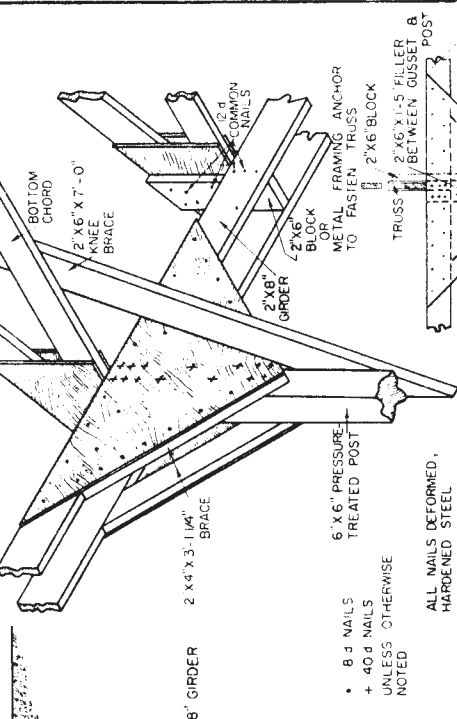
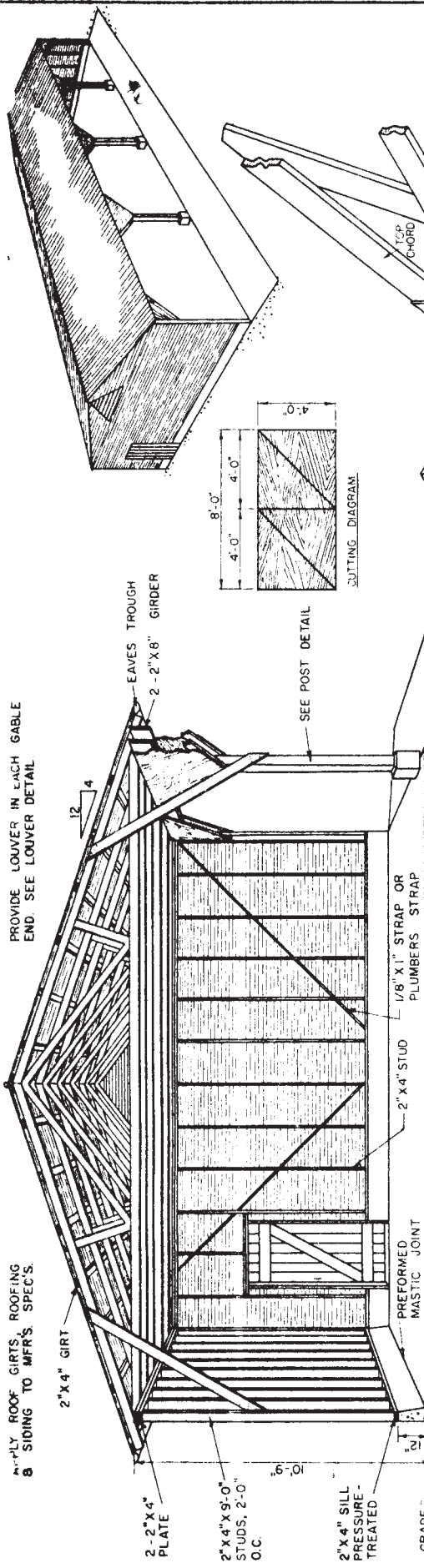
WARRANTY DISCLAIMER

This plan provides conceptual information only. **Neither midwest plan service nor any of the cooperating land-grant universities, or their respective agents or employees, have made, and do not hereby make, any representation, warranty or covenant with respect to the specifications in this plan.** Additional professional services will be required to tailor this plan to your situation, including but not limited to: assurance of compliance with codes and regulations; review of specifications for materials and equipment; supervision of site selection, bid letting and construction; and provision for utilities, waste management, roads or other access.

MIDWEST PLAN SERVICE
Cooperative Extension Work in Agriculture and Home Economics and Agricultural Experiment Stations of North Central Region - USDA Cooperating
24' Frame Utility Building
Title Page
MIDWEST PLAN NO. 72044

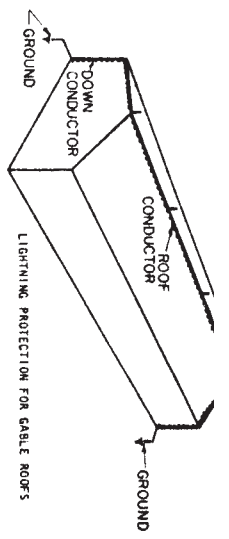
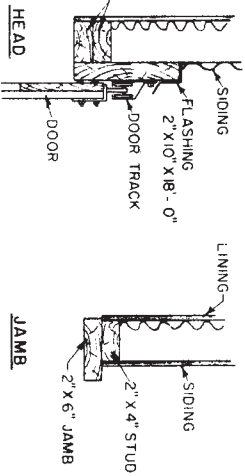
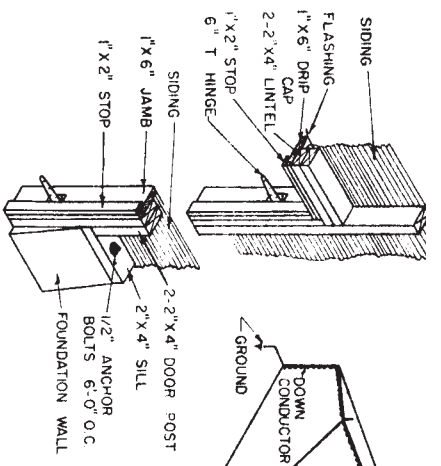
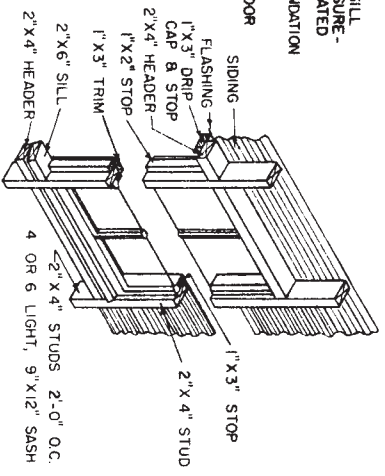
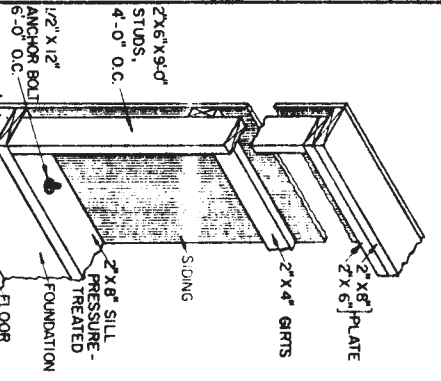
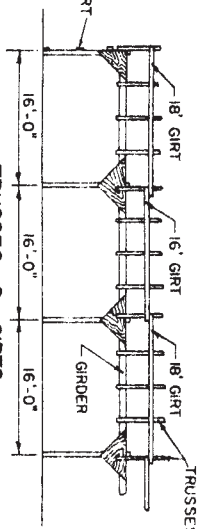
APPLY ROOF GIRTS, ROOFING & SIDING TO MFR'S SPEC'S.

PROVIDE LOUVER IN EACH GABLE END. SEE LOUVER DETAIL



SHEET 3: 24' SPAN TRUSSES
 MIDWEST PLAN SERVICE
 COOPERATIVE EXTENSION WORK IN
 ADULT EDUCATION, HOME ECONOMICS
 AND AGRICULTURE, EXPERIMENT STATIONS
 OF NORTH CENTRAL REGION, U.S.D.A. COOPERATING
 24' FRAME
 UTILITY BUILDING
 6011 SHEET 1 OF 3 SHEETS
 MIDWEST PLAN NO. 72044
 COPYRIGHT 1961 MIDWEST PLAN SERVICE

SCALE 1/8" = 1'-0"



LIGHTNING PROTECTION FOR GABLE ROOFS

Air Terminals
 At least 24" long.
 Up to 25' apart.
 3/8" copper or 5/8" aluminum.
 5/8" copper tubing, wall thickness over 0.032"

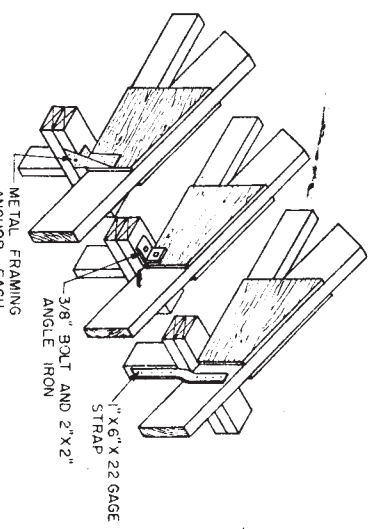
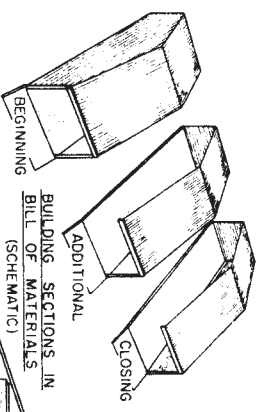
Conductors
 Copper: 17 AWG wires, 1875#/1000'.
 Aluminum: 14 AWG wires, 95#/1000'.
 Two down conductors, minimum, on opposite corners.
 For bldgs. over 110' long, use one down conductor per 50' add'l length.

DOOR FRAMING DETAIL

WINDOW FRAMING DETAIL

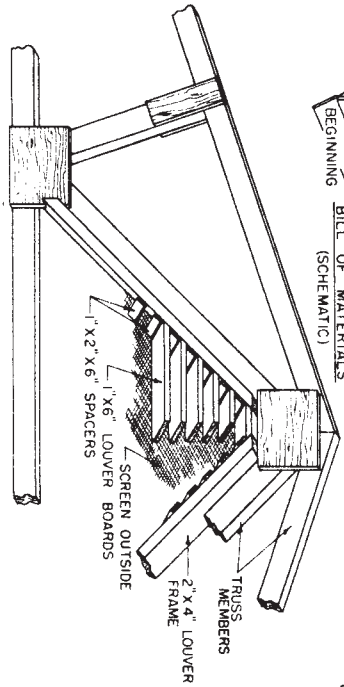
BUILDING SECTION (16' LONG)

BEGINNING NO.	BEGINNING FBM	ADDITIONAL NO.	ADDITIONAL FBM	CLOSING NO.	CLOSING FBM
2	4 3/4	1	4 3/4	2	4 3/4
1	1	1	1	1	1
40	30	16	30	40	30
1	2	1	2	1	2
3 3/4	42 3/3	2 1/2	42 2/3	2 1/4	42 2/3
3	14	2	9 1/3	1	4 2/3
2	6	1	7	3	3
1	7	1	7	1	3
45	7 1/2	4	7 1/2	45	7 1/2
5	7	7	8 1/2	7	8 1/2
7	16	2	10 2/3	2	10 2/3
24	144	8	48	23	138
2	32	2	21 1/3	2	32
445	21 1/3	2	21 1/3	445	21 1/3
448	160	32	160	448	160
32	32	2	32	32	32
15	28 1/3	15	28 1/3	15	28 1/3
1	3 1/2	1	3 1/2	1	3 1/2



TRUSS ATTACHMENT

Concrete	Cu. Yards	Foundation	Cu. Yards
2	4 3/4	1	4 3/4
1	1	1	1
40	30	16	30
1	2	1	2
3 3/4	42 3/3	2 1/2	42 2/3
3	14	2	9 1/3
2	6	1	7
1	7	1	7
45	7 1/2	4	7 1/2
5	7	7	8 1/2
7	16	2	10 2/3
24	144	8	48
2	32	2	21 1/3
445	21 1/3	2	21 1/3
448	160	32	160
32	32	2	32
15	28 1/3	15	28 1/3
1	3 1/2	1	3 1/2



TYPICAL LOUVER CONSTRUCTION

SHEET 3: 24' SPAN TRUSSES

MIDWEST PLAN SERVICE
 COOPERATIVE EXTENSION WORK IN
 AGRICULTURE AND HOME ECONOMICS
 AND AGRICULTURAL EXPERIMENT STATIONS
 OF NORTH CENTRAL REGION USDA COOPERATING

24' FRAME

UTILITY BUILDING

SHEET 2 OF 3 SHEETS

MIDWEST PLAN NO. 72044